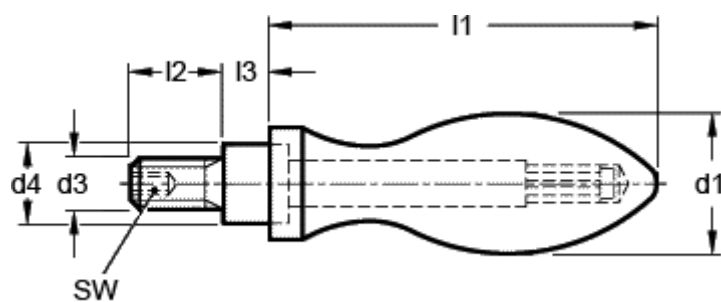


Article number: 20111032

Description: E+G Revolving handle
DIN 98-AL-36-E

Measures



d1	= 36
d3	= M16
d4 h13	= 22
l1 approx.	= 106
l2	= 26
l3	= 11.0
SW	= 8